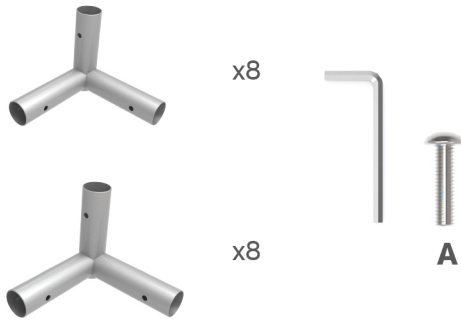
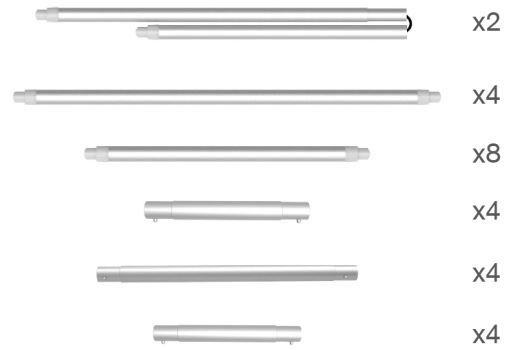


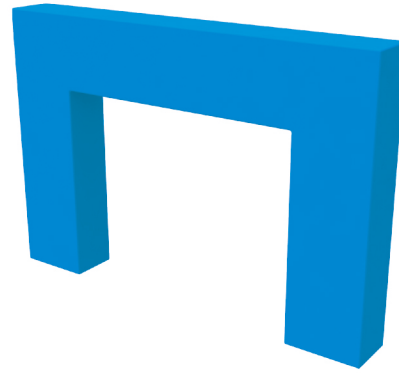
★ One Tool (Hex Wrench) 

STEPS

(1) Hardware

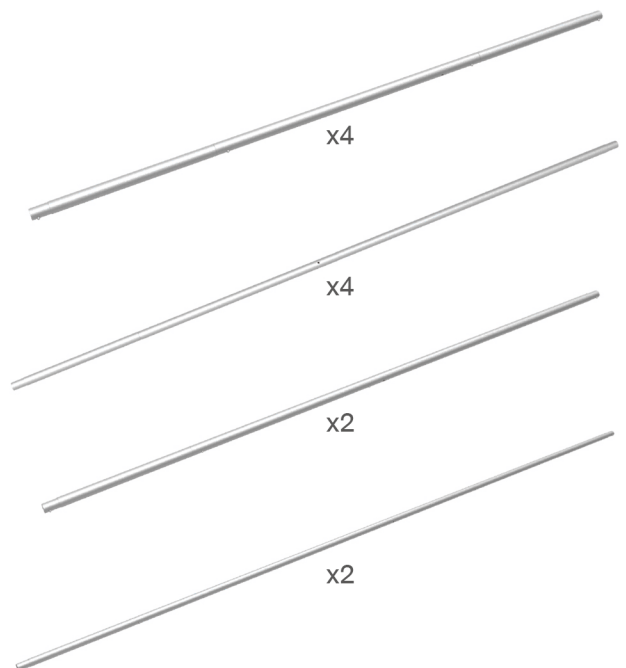
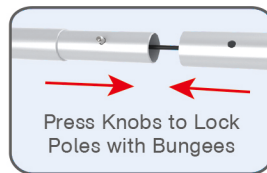
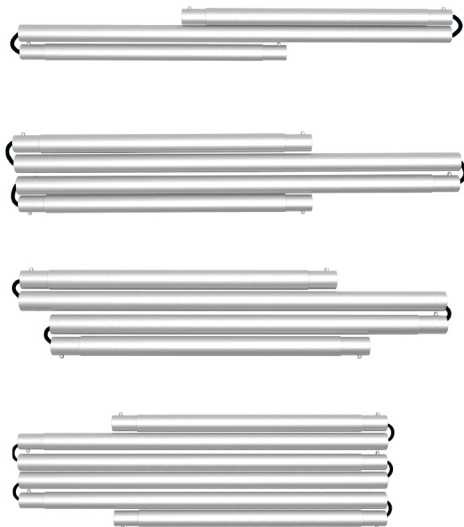


(2) Printed Graphic Fabric Banner (Optional)



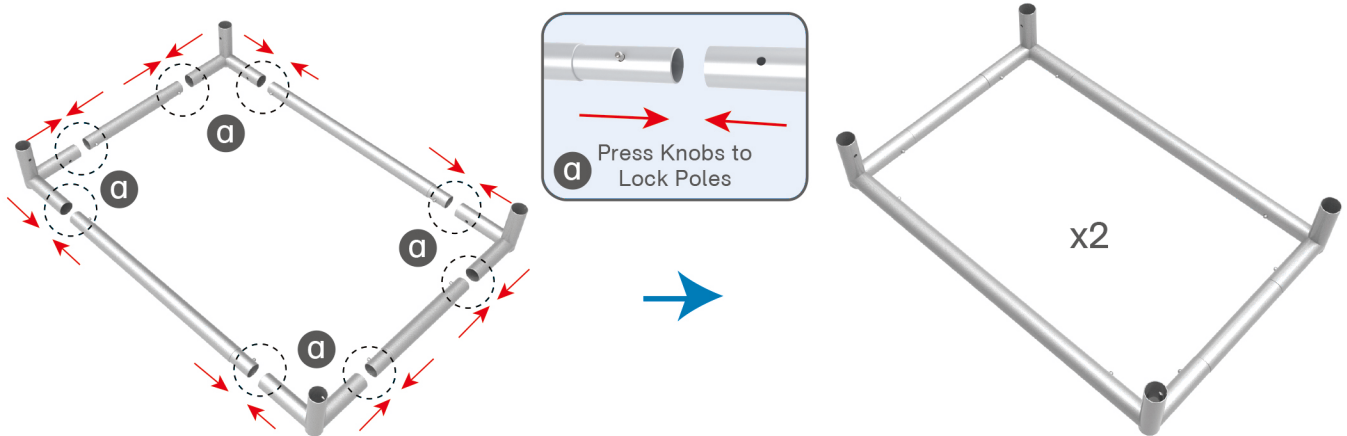
STEP 01

Connect to make long poles according to labelings.



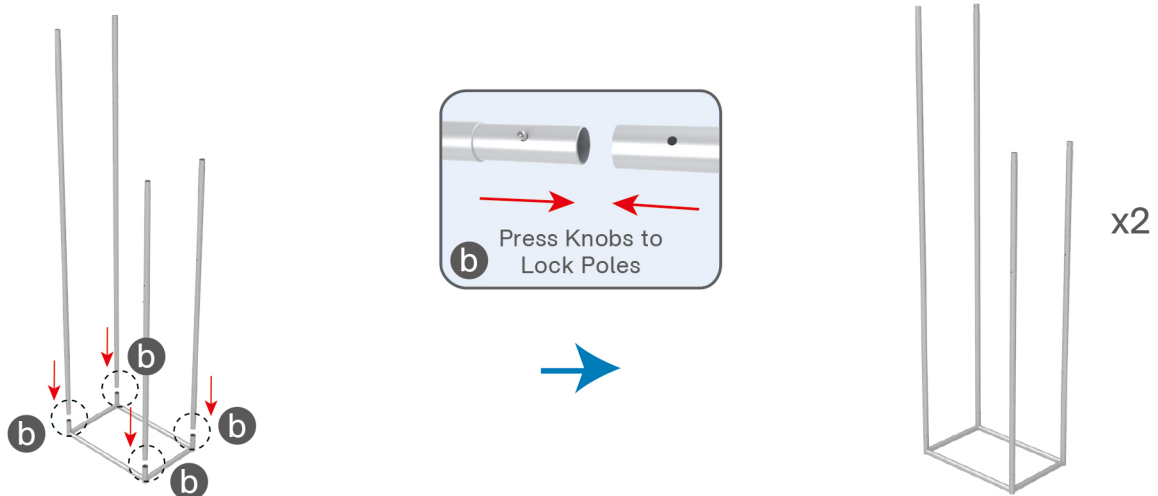
STEPS

STEP 02 Connect long poles with corner poles according to labelings.

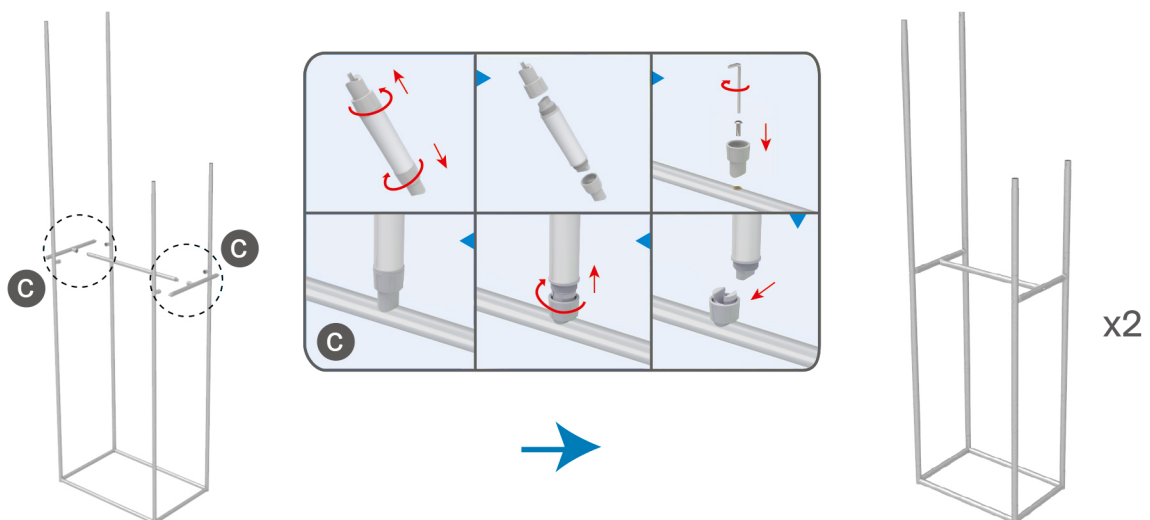


STEP 03

① Connect long poles onto base frame according to labelings.



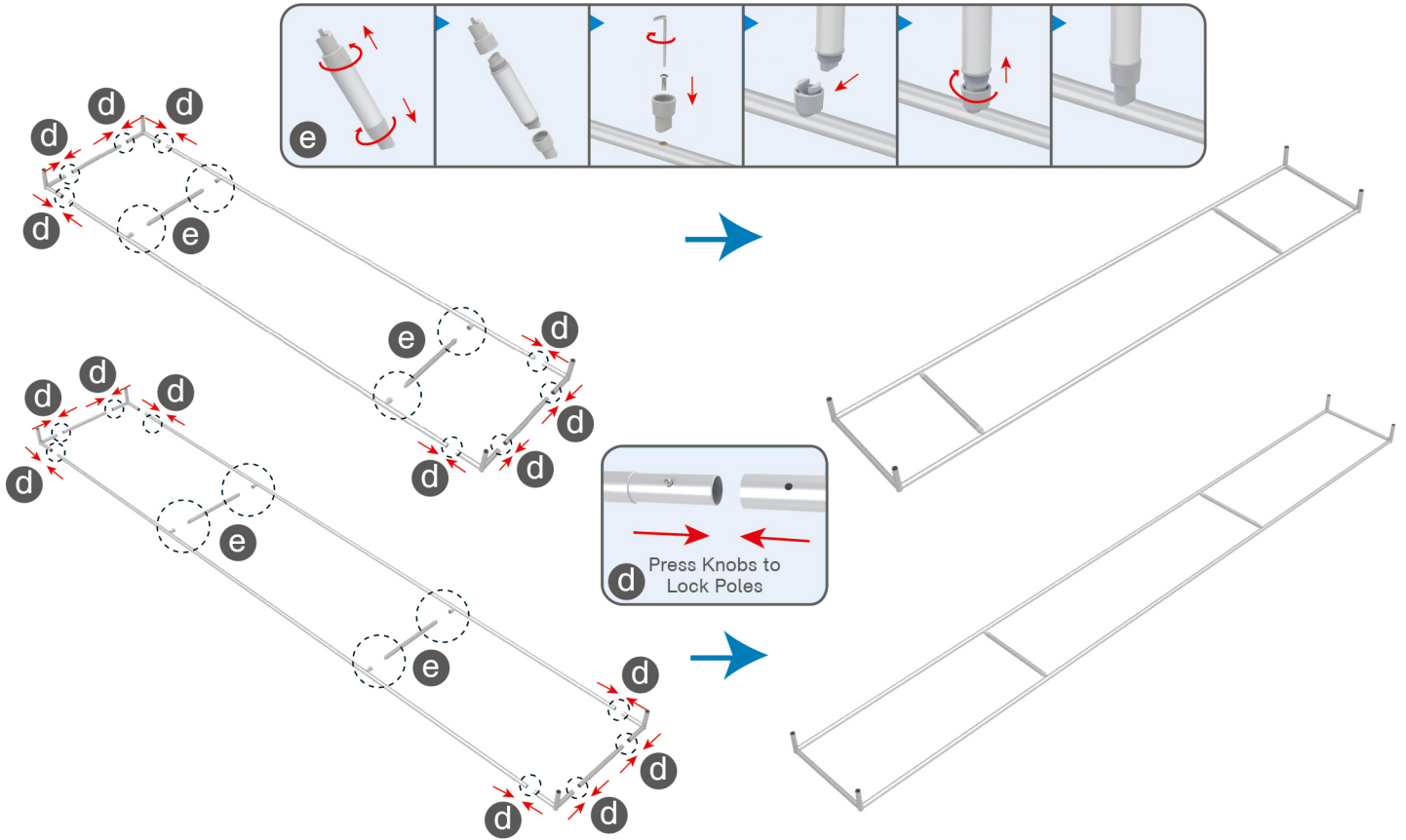
② Connect cross bars in the middle according to labelings.



STEPS

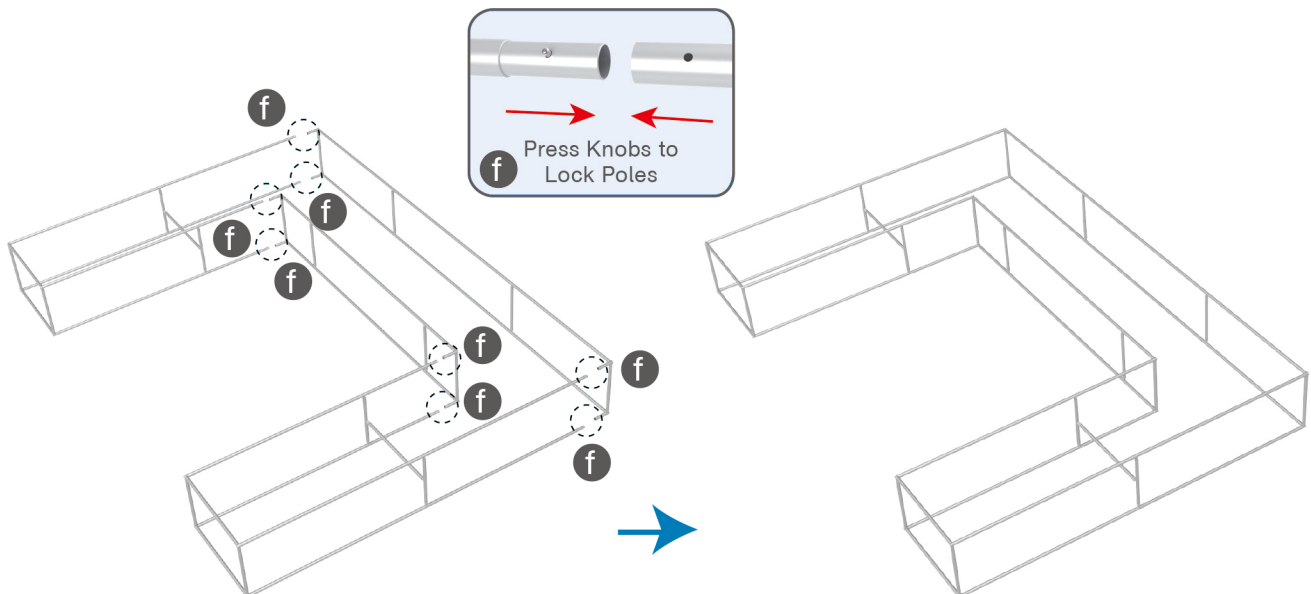
STEP 04

Connect long poles with corner poles according to labelings, connect support poles onto frames.



STEP 05

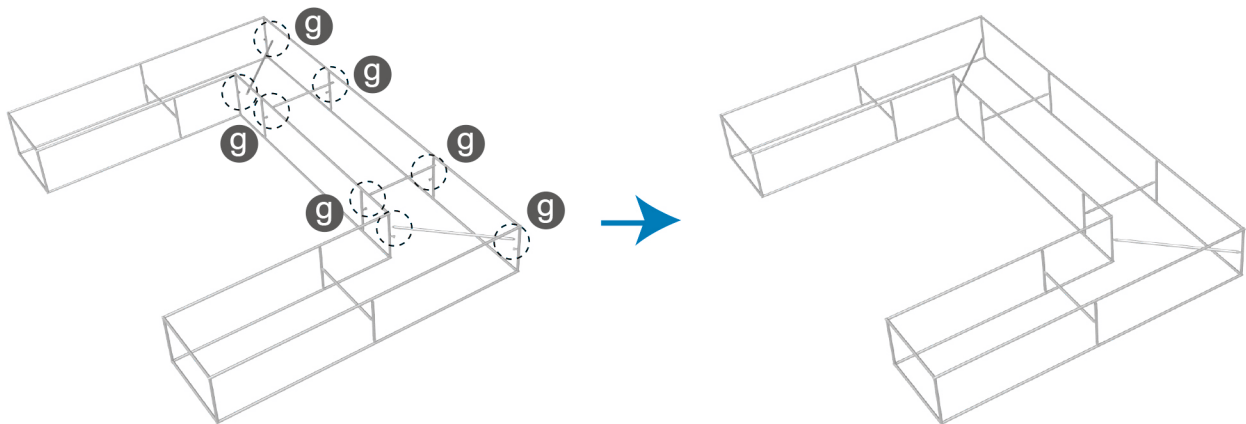
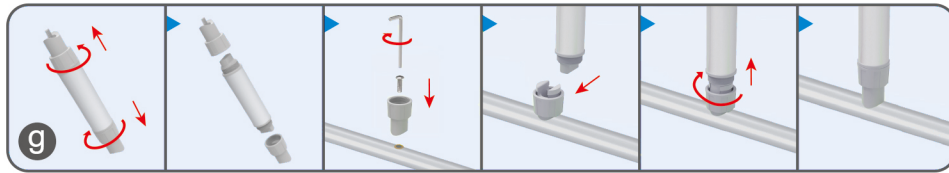
Interconnect frames according to labelings.



STEPS

STEP 06

Connect cross bars in the middle according to labelings.



STEP 07

Wrap column frame with fabric banner & zip up at corner.

