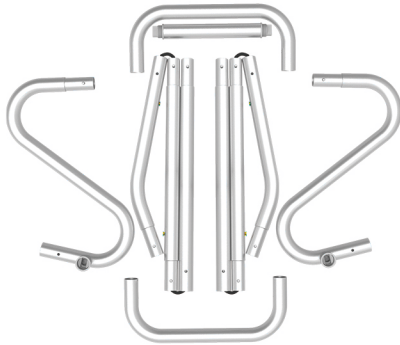


STEPS

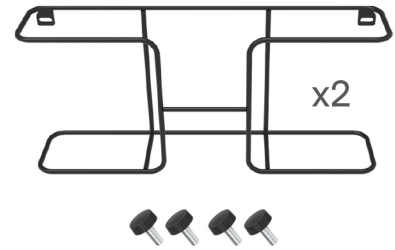
(1) Snap Tubes



(2) Printed fabric banner

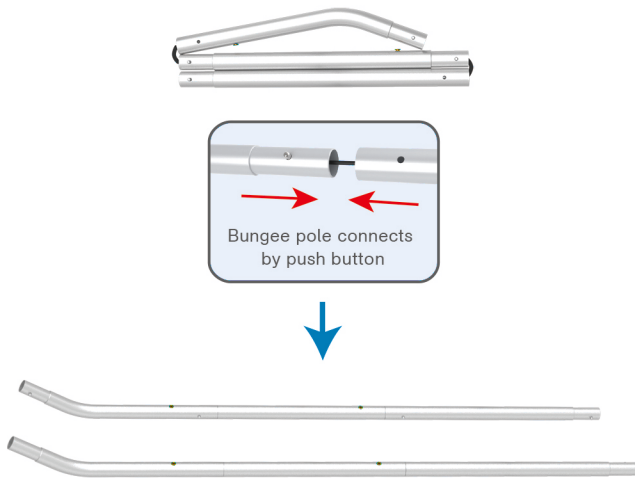


(3) Brochure rack x 2
Screws x 4



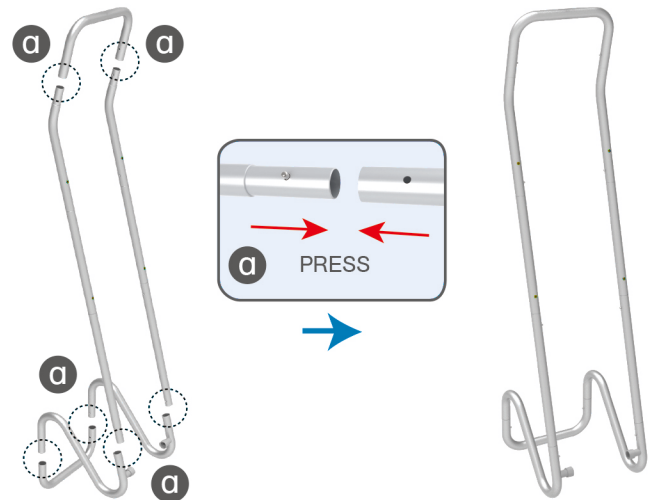
STEP 01

To Connect the tubes according to the labellings



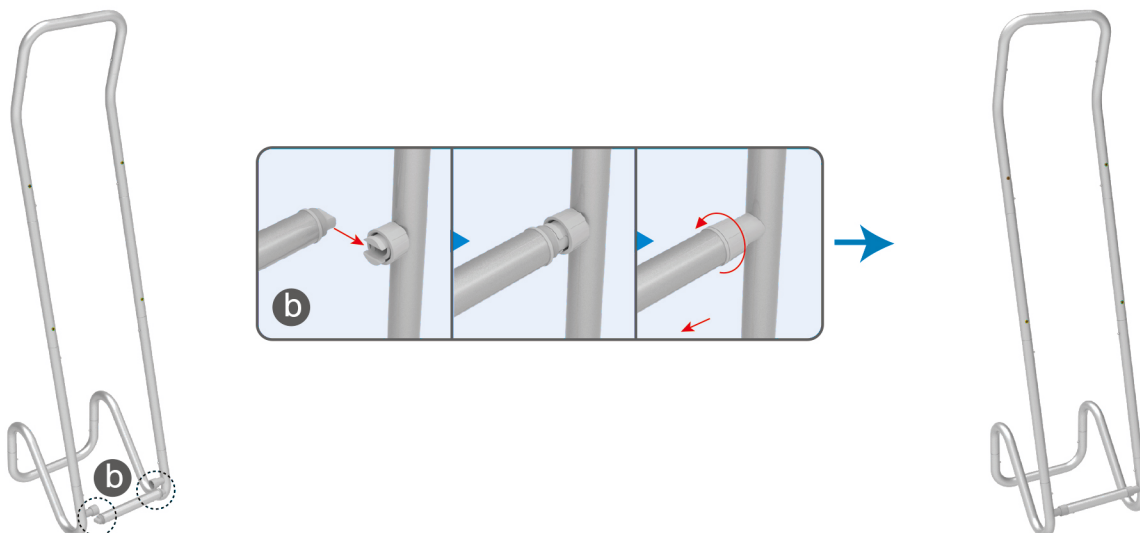
STEP 02

To connect 2 long side tubes by the corner pieces



STEP 03

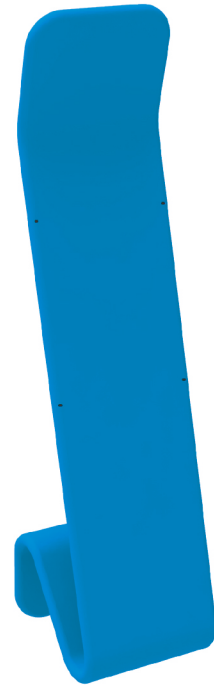
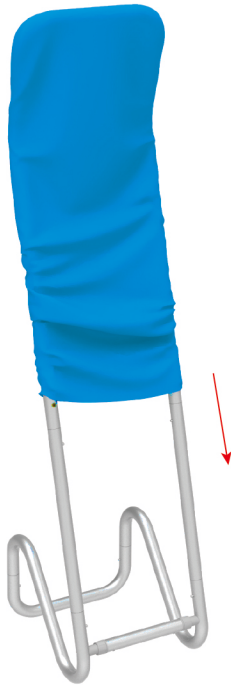
To install the cross bar according to labellings



STEPS

STEP 04

To Wrap up the fabric banner from top to bottom and zip up.



STEP 05

To install 2 racks by screws in position

