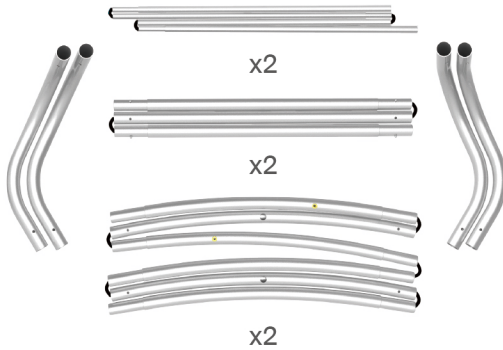


STEPS

(1) Hardware



(2) Printed Graphic Fabric Banner (Optional)

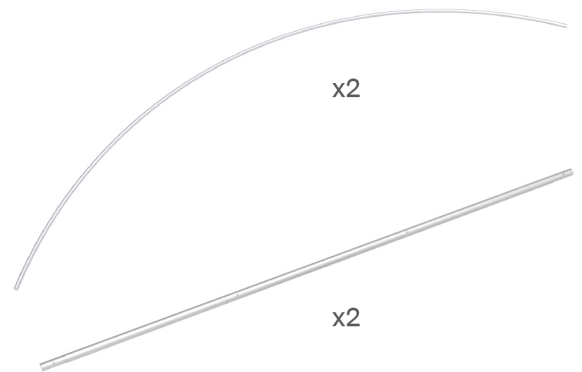
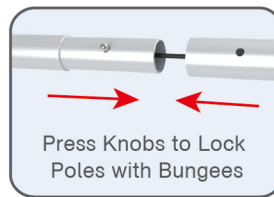
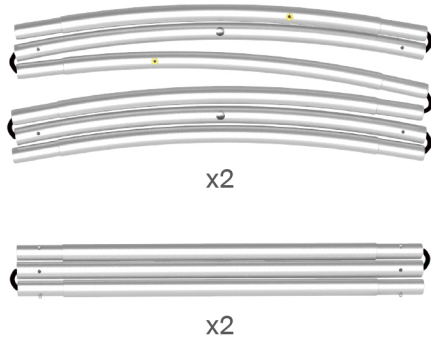


(3) Light Clips



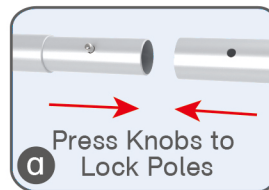
STEP 01

Connect to make long poles according to labelings.



STEP 02

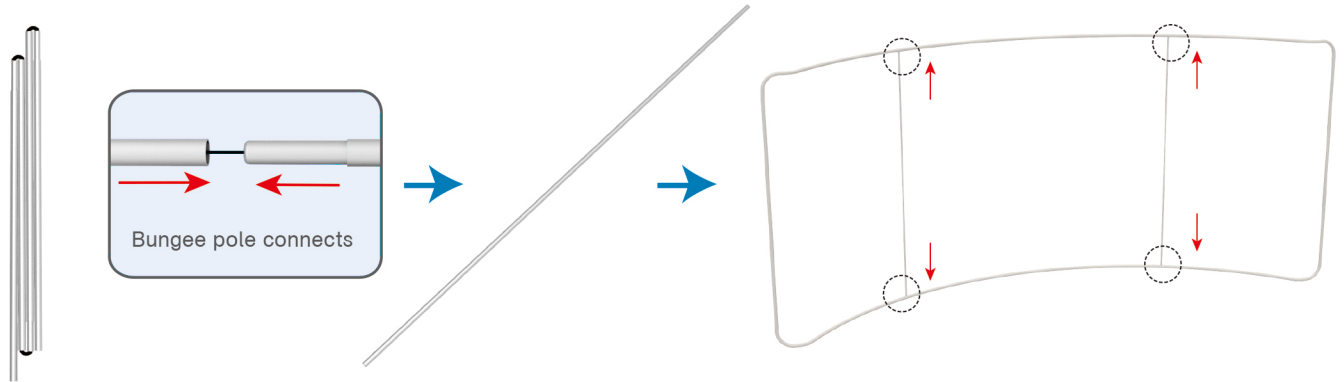
Connect long poles with corner poles according to labelings.



STEPS

STEP 03

Connect poles with bungees for making middle support pole to insert in position.



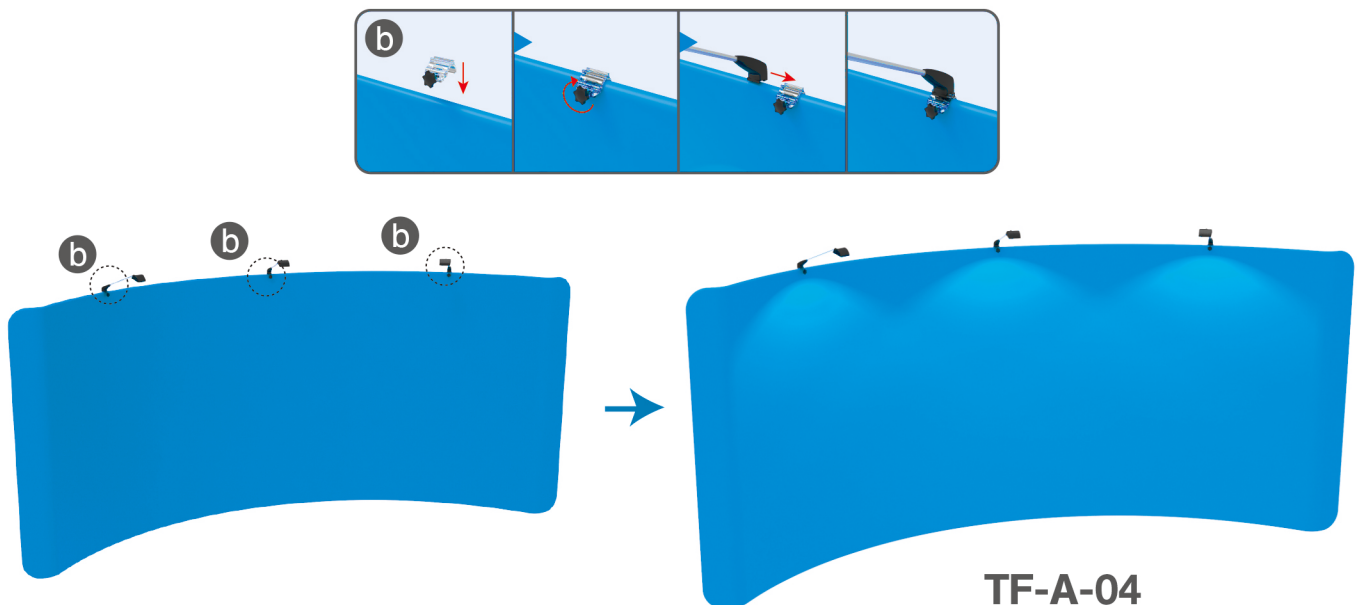
STEP 04

Slide fabric banner on frame from top and zip up at bottom.



STEP 05

Screw light clips at top of display stands, slide lights onto them and adjust their direction.



TF-A-04