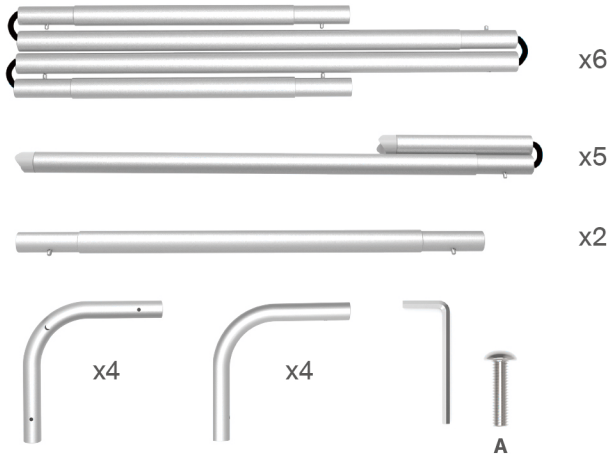


★ One Tool (Hex Wrench) 

## STEPS

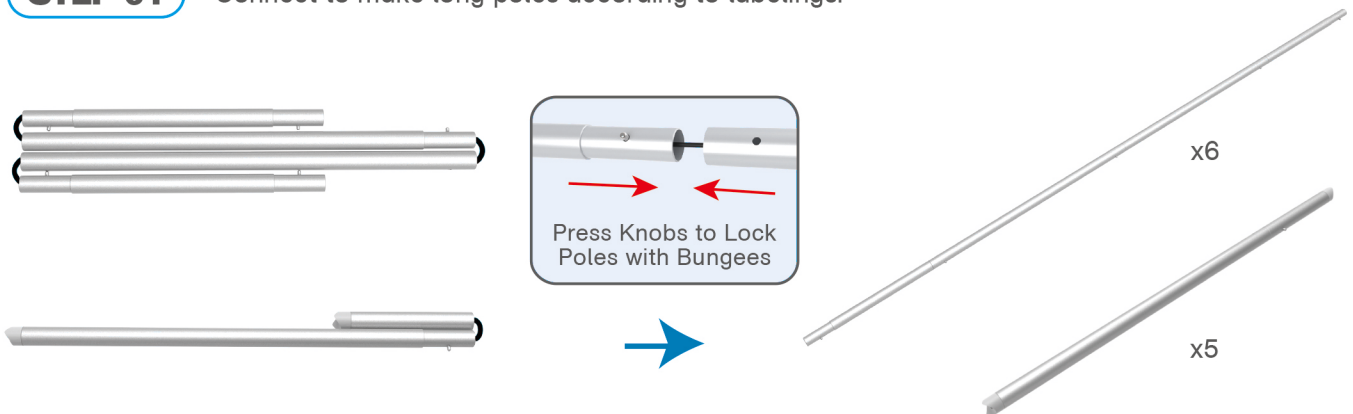
(1) Hardware



(2) Printed Graphic Fabric Banner (Optional)

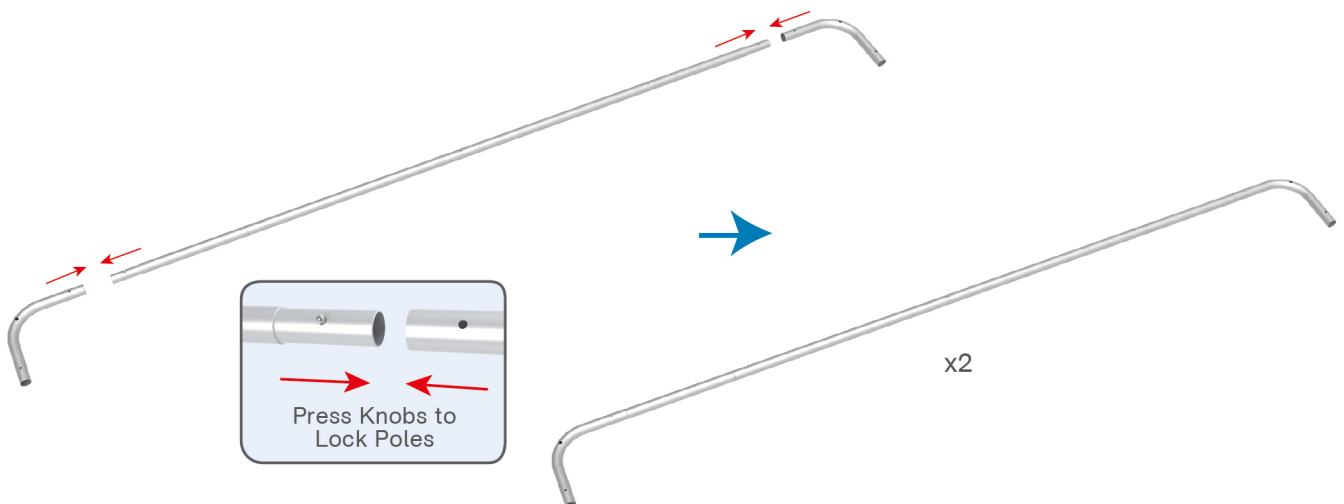


**STEP 01** Connect to make long poles according to labelings.



**STEP 02**

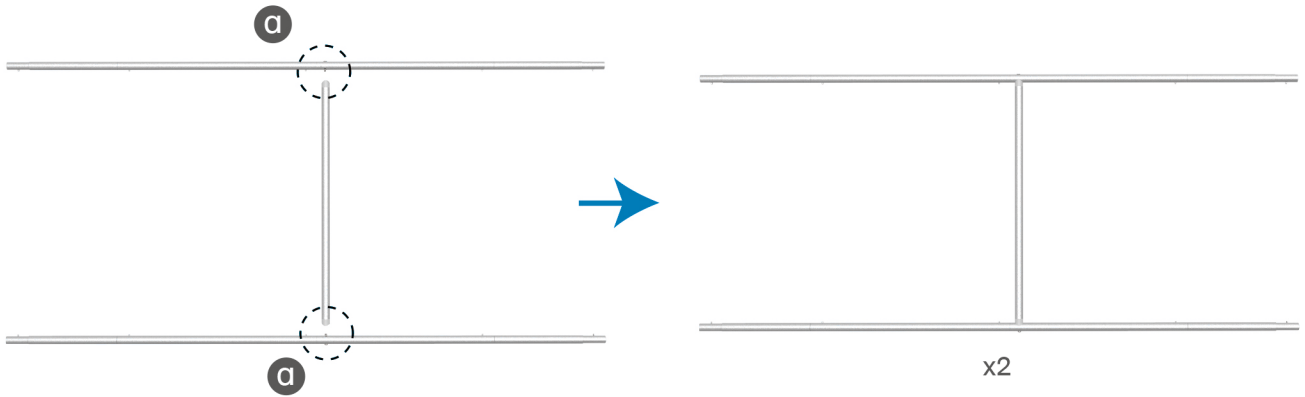
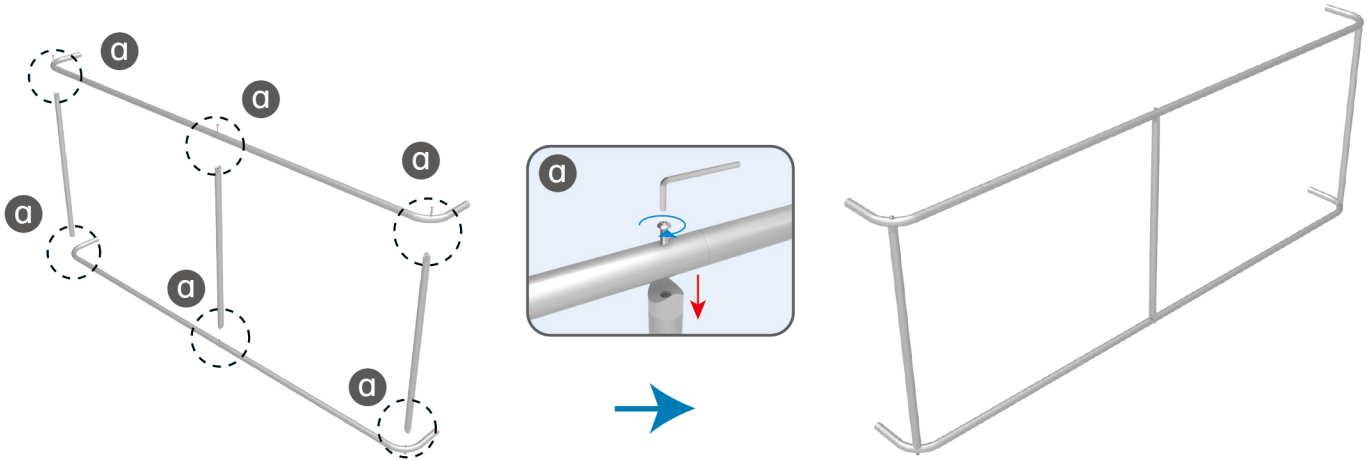
Connect long poles with corner poles according to labelings.



## STEPS

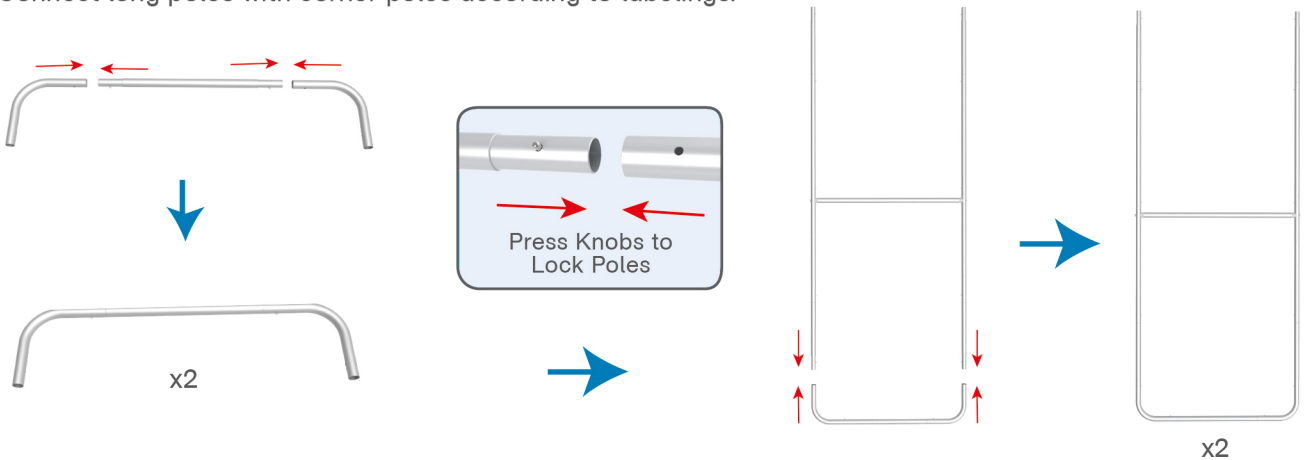
### STEP 03

Connect support poles onto frame with screws.



### STEP 04

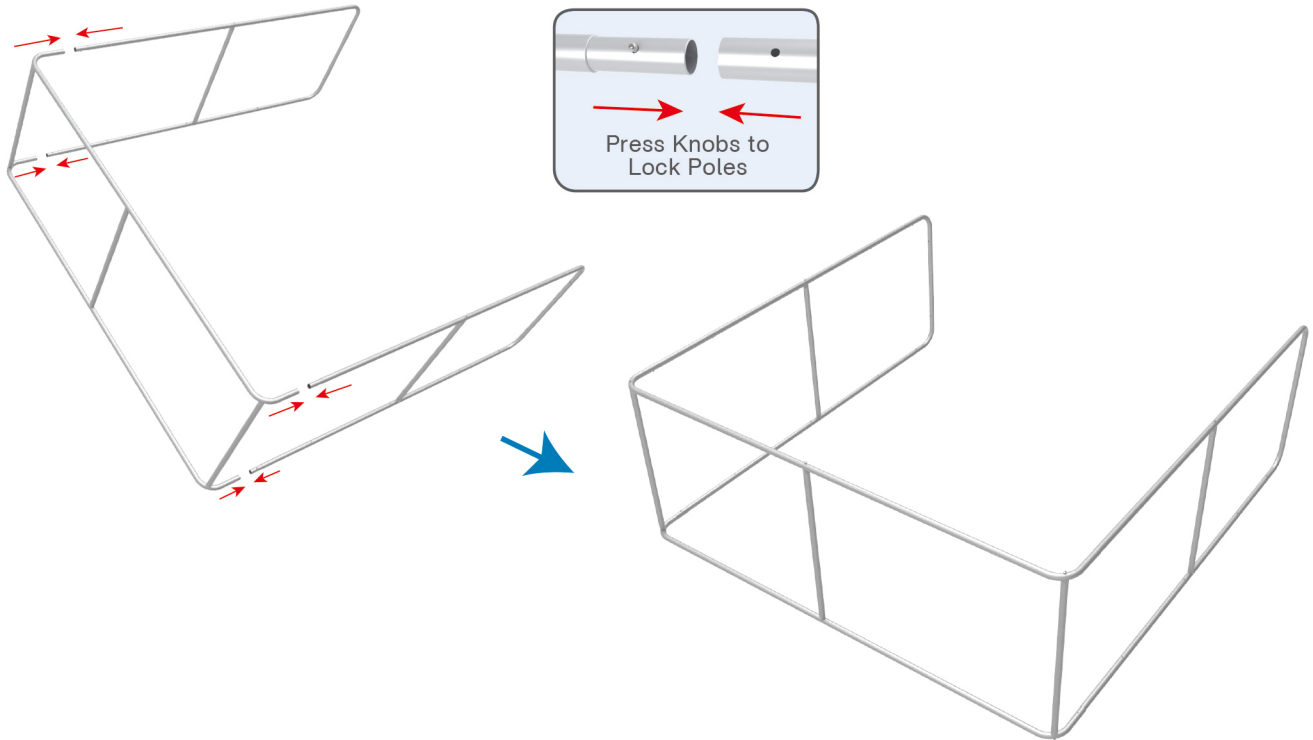
Connect long poles with corner poles according to labelings.



## STEPS

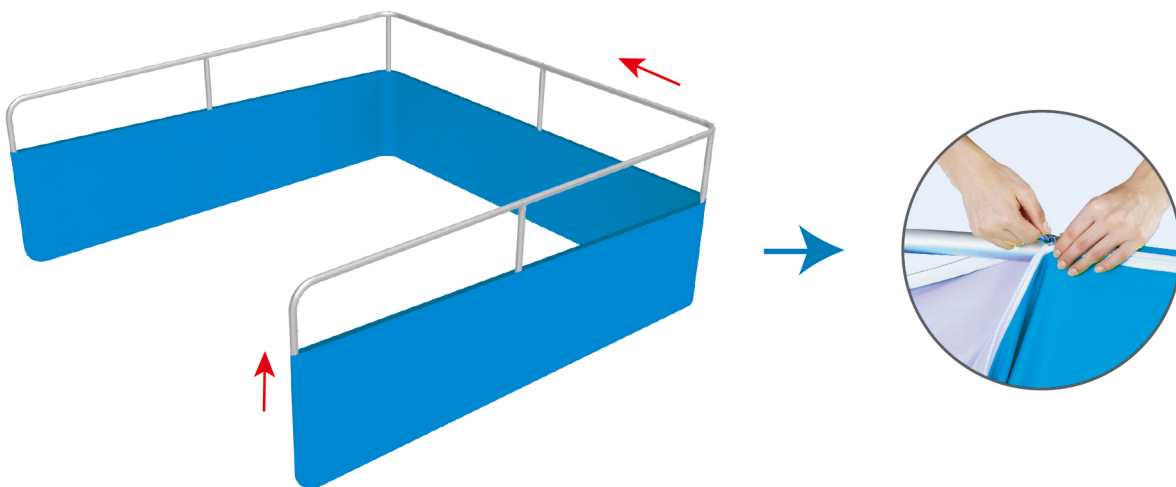
### STEP 05

Interconnect frames according to labelings.



### STEP 06

Slide fabric banner on frame from bottom and zip up at top.



**STEPS**

