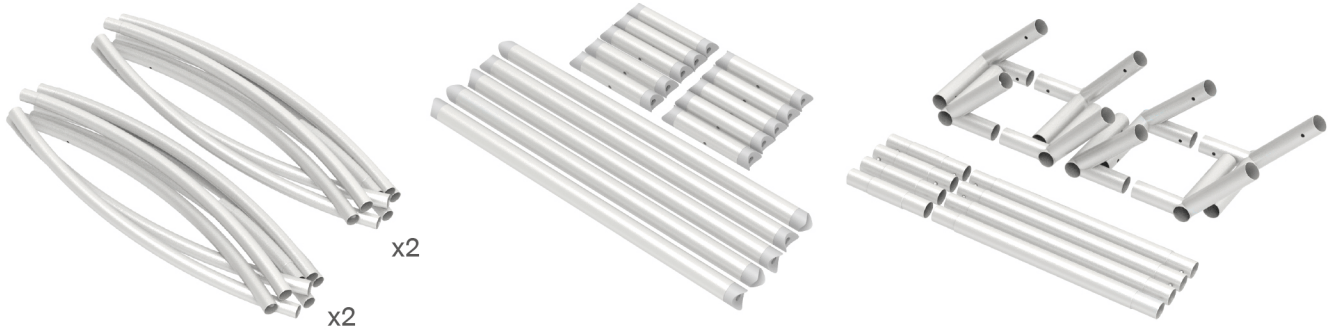


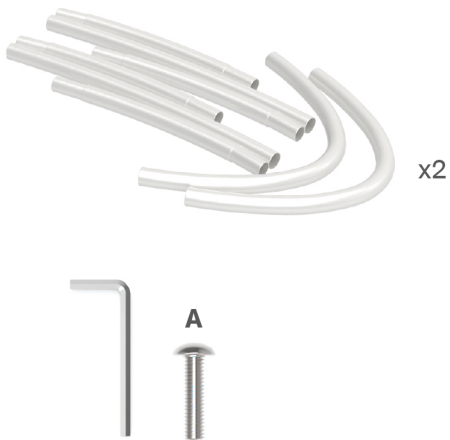
★ One Tool (Hex Wrench) 

STEPS

(1) Hardware



(2) Header

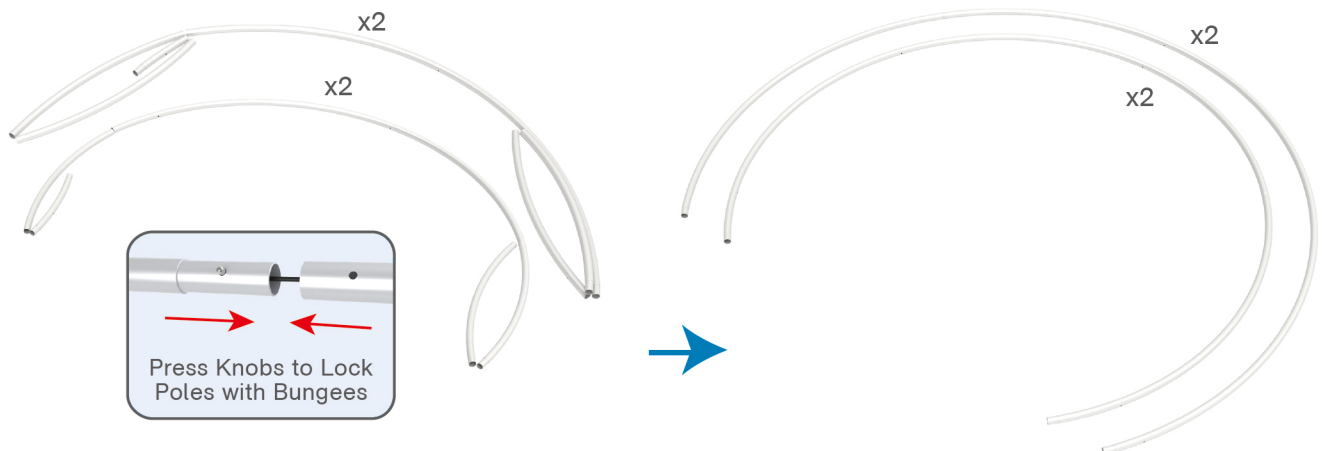


(3) Printed Graphic Fabric Banner (Optional)



STEP 01

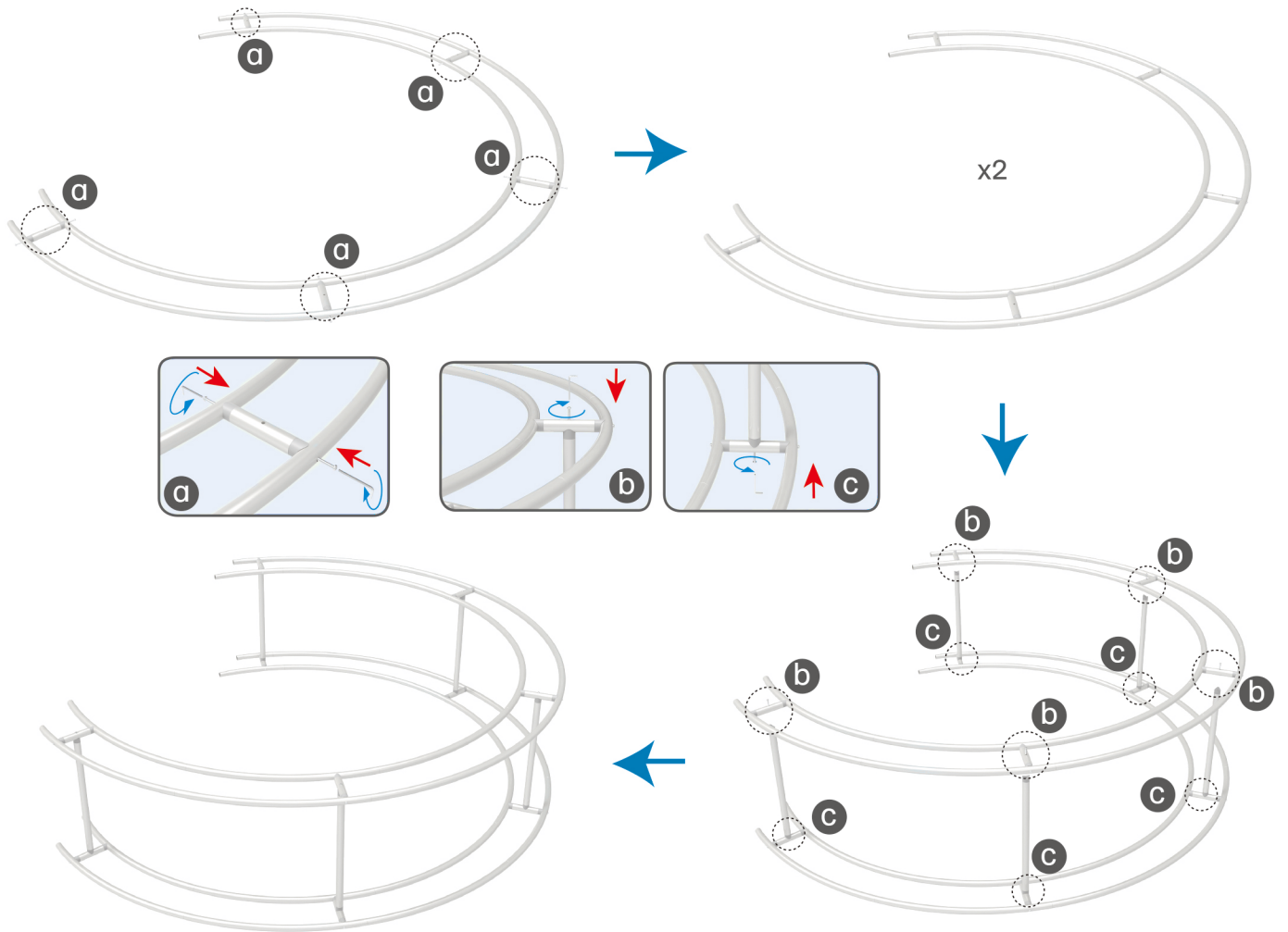
Connect to make long poles according to labelings.



STEPS

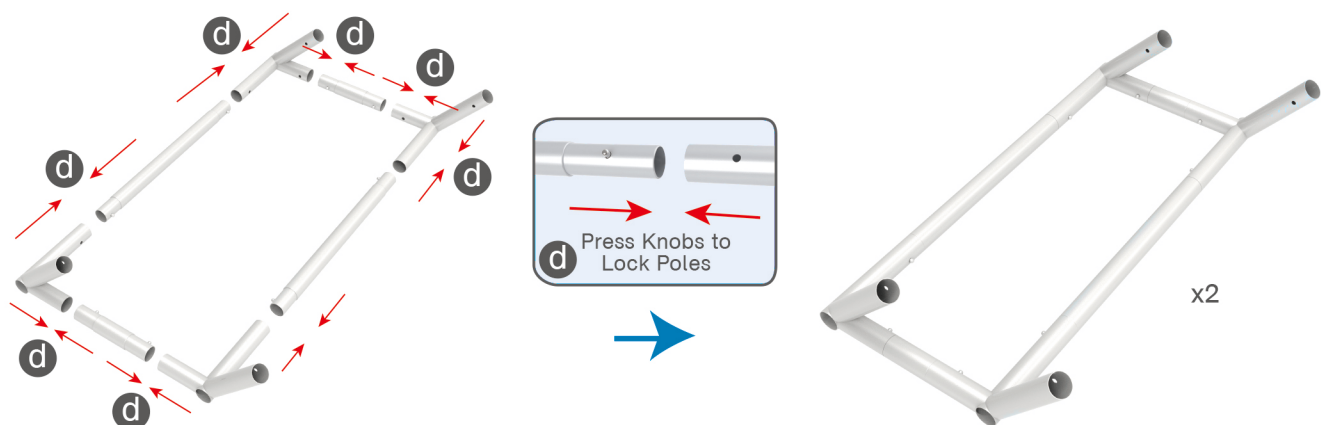
STEP 02

Connect support poles onto frame.

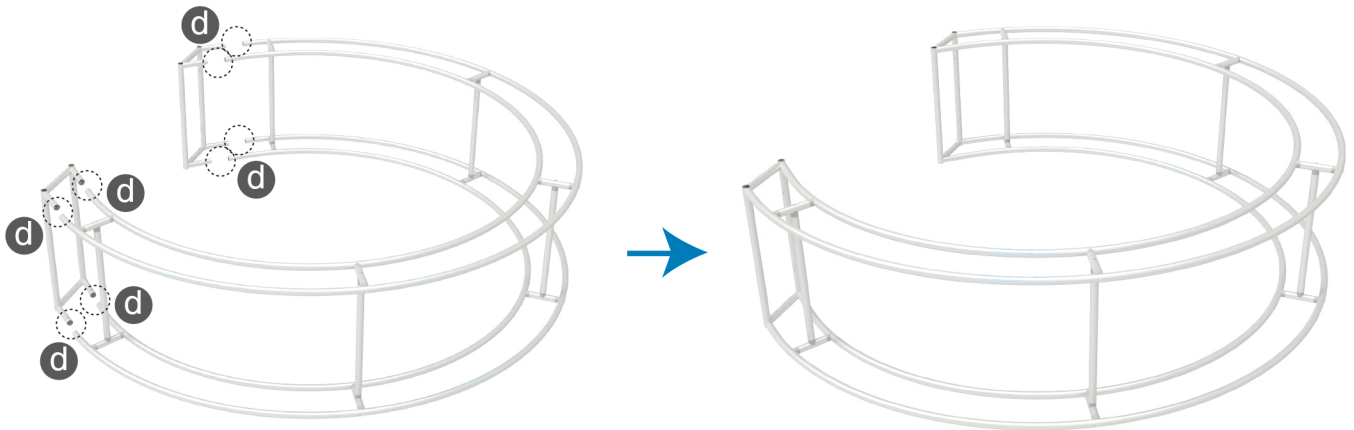


STEP 03

Connect long poles with corner poles according to labelings.

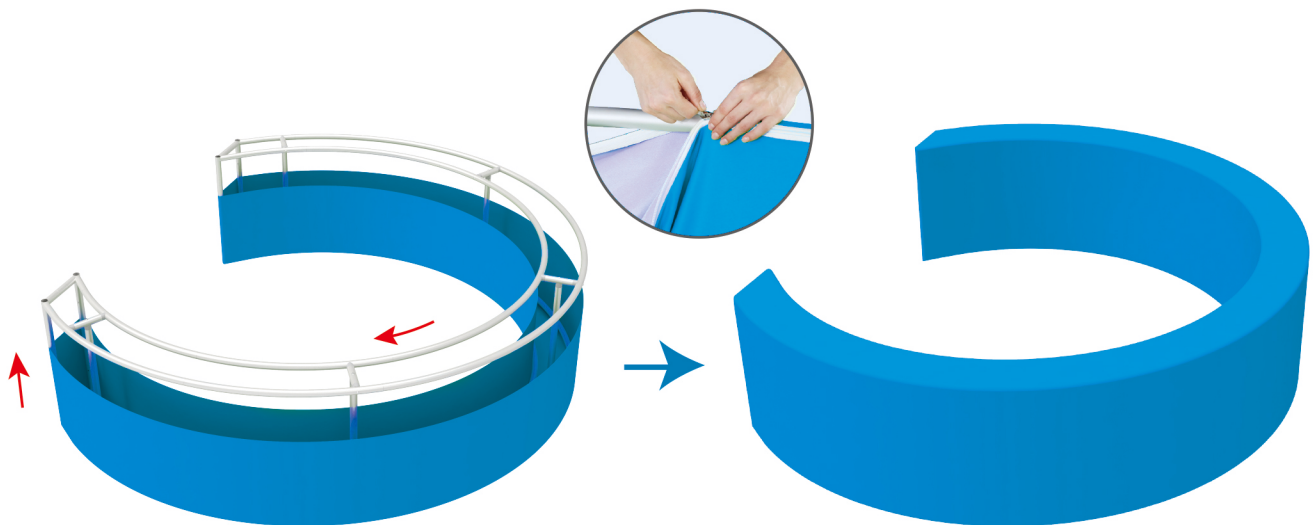


STEPS



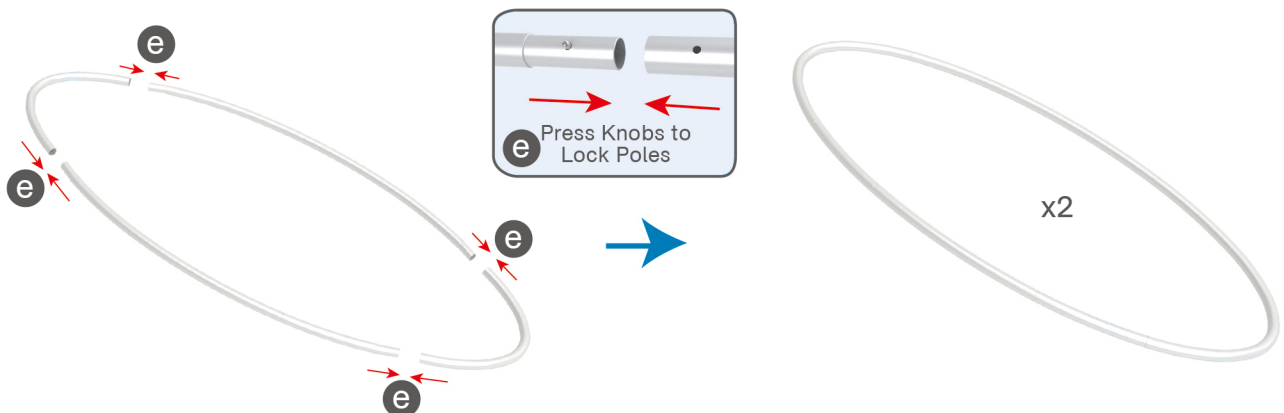
STEP 04

Slide fabric banner on frame from bottom and zip up at top.



STEP 05

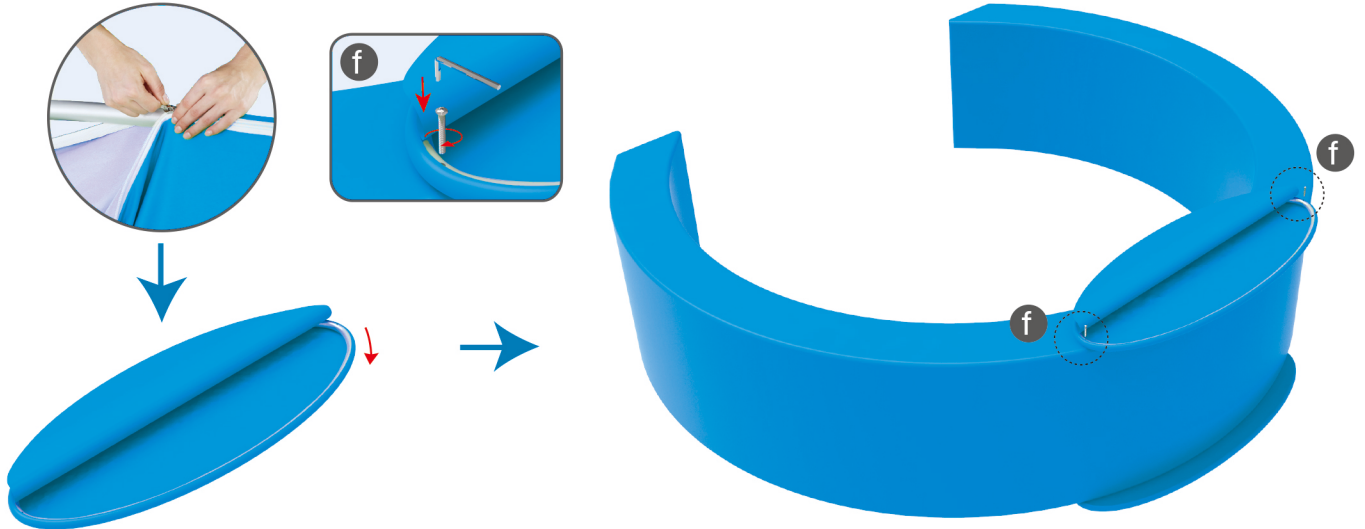
Connect long poles with corner poles according to labelings.



STEPS

STEP 06

Slide fabric banner on frame from bottom and zip up at middle, install header onto arch with hex wrench & screws.



STEP 07

Continue sliding fabric banner on frame and zip up at top.

