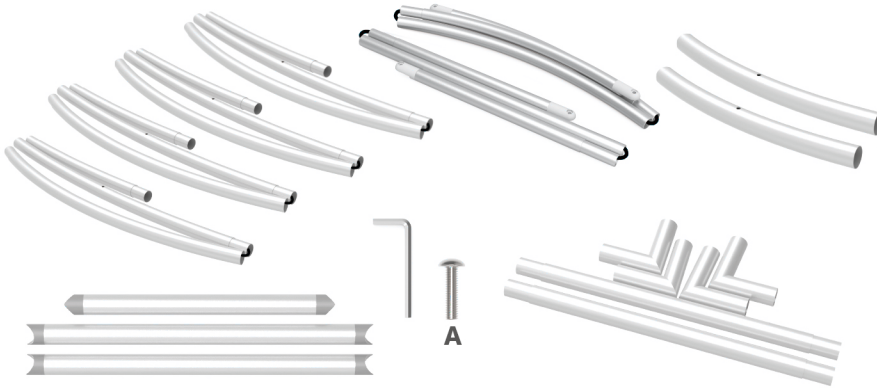


★ One Tool (Hex Wrench) 

STEPS

(1) Hardware

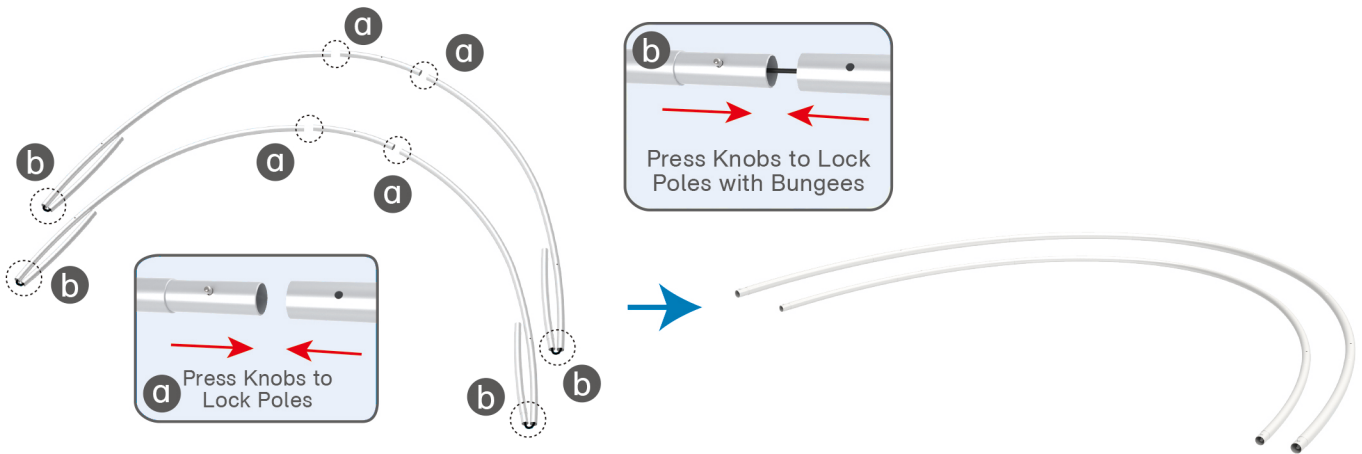


(2) Printed Graphic Fabric Banner (Optional)



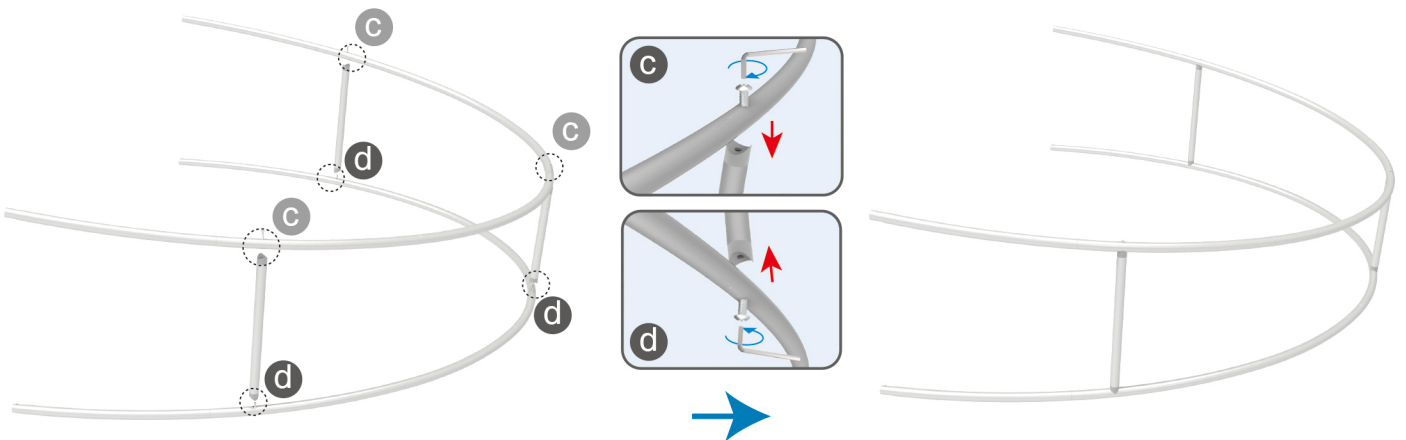
STEP 01

Connect to make long poles according to labelings.



STEP 02

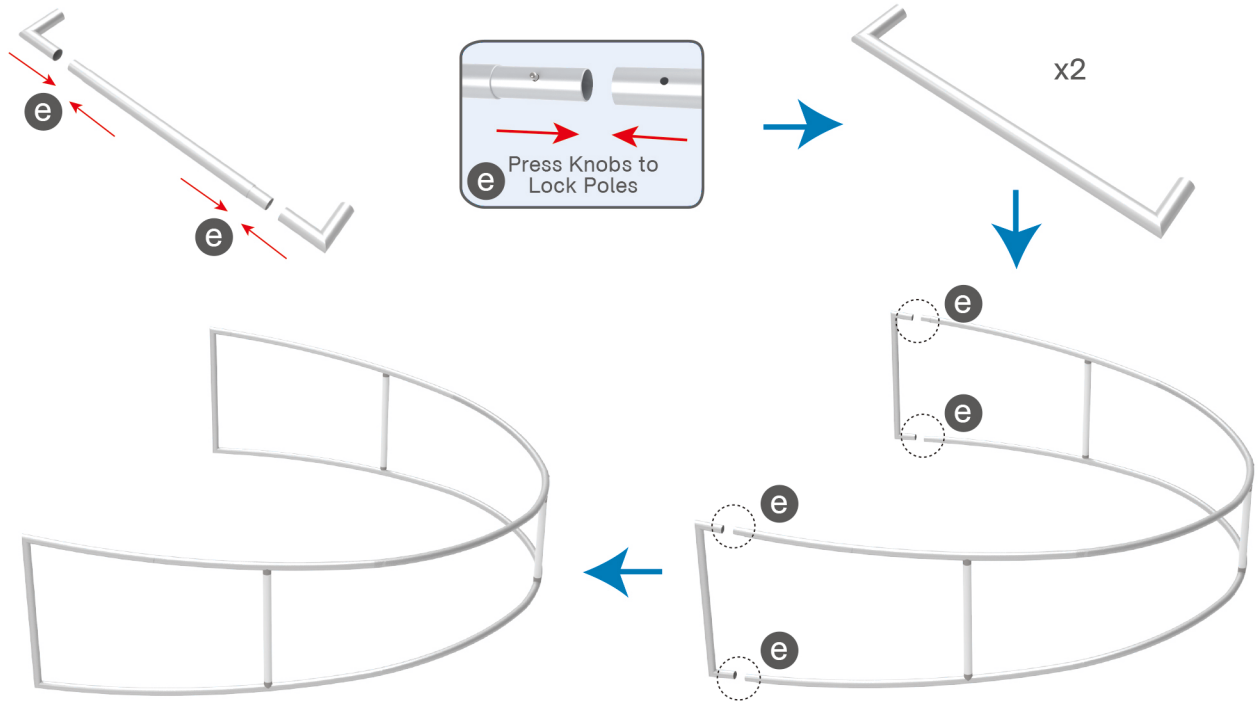
Connect support poles onto frame.



STEPS

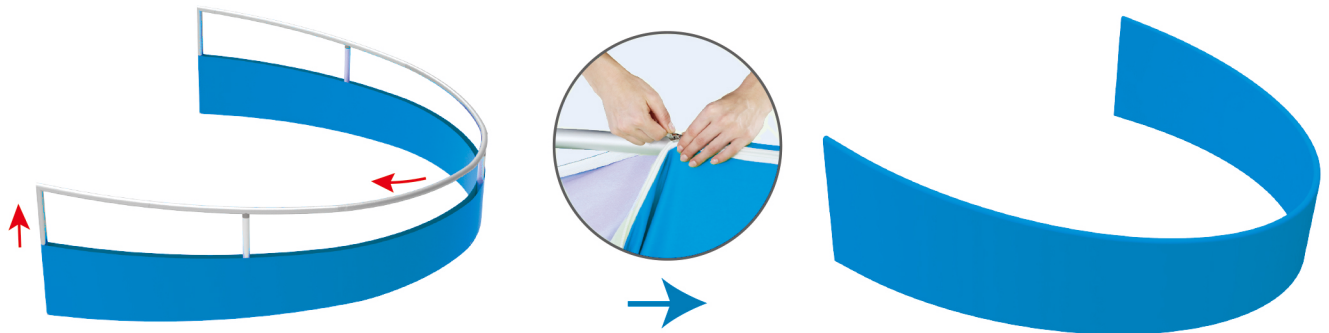
STEP 03

Connect long poles with corner poles according to labelings.



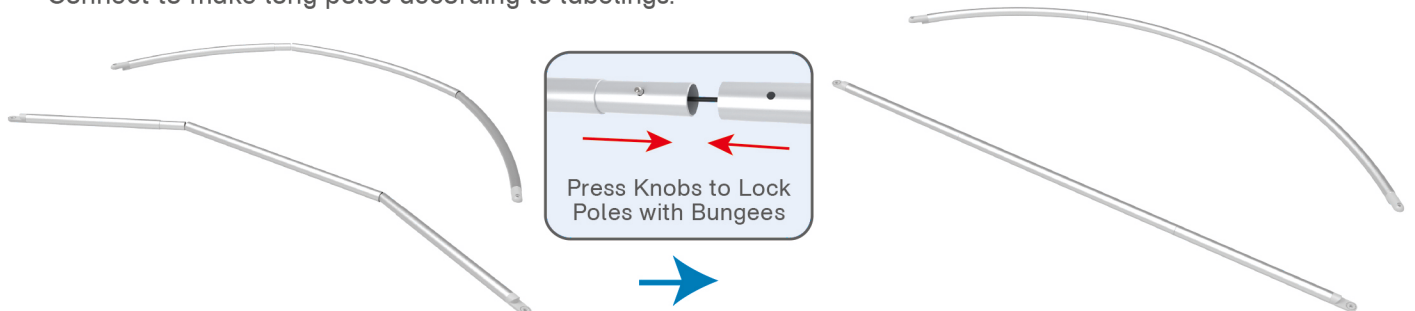
STEP 04

Slide fabric banner on frame from bottom and zip up at top.



STEP 05

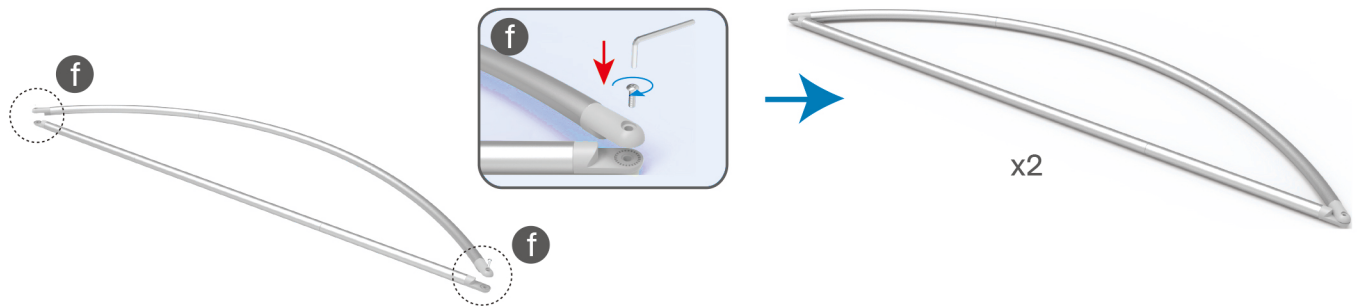
Connect to make long poles according to labelings.



STEPS

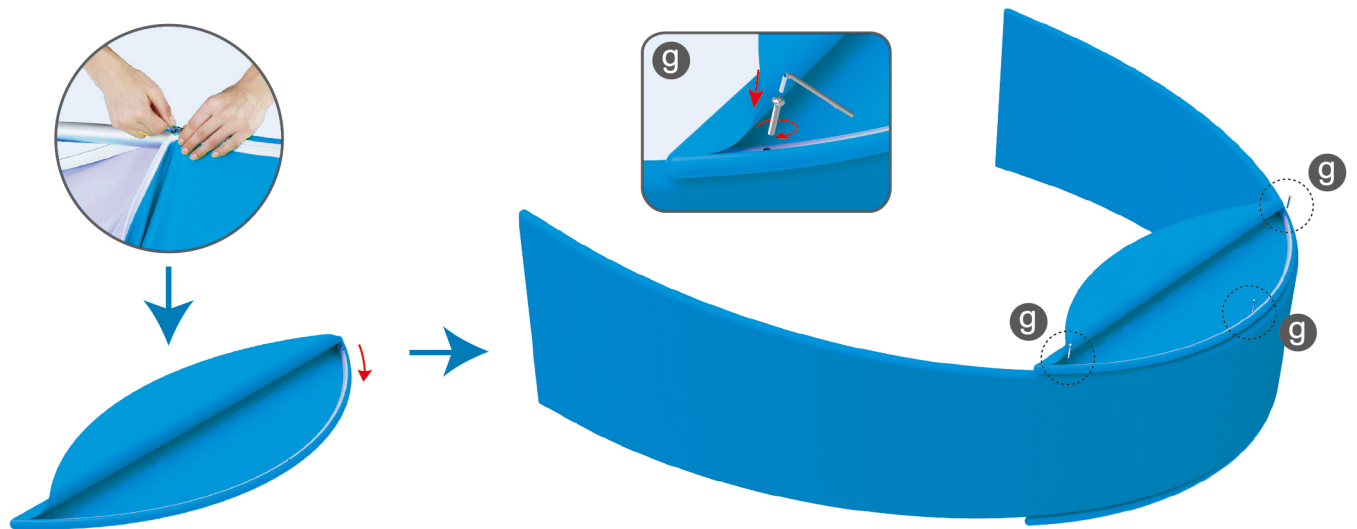
STEP 06

Interconnect long poles with screws.



STEP 07

Slide fabric banner on frame from bottom and zip up at middle, install header onto arch with hex wrench & screws.



STEP 08

Continue sliding fabric banner on frame and zip up at top.



